

# Leak-Free Fittings

Assemble your fittings with the 'New Standard' in flared connections. Insert FLARETITE Seals and torque with TORQTITE wrenches. Seals are available for 30, 37 & 45 degree flared fittings. Wrenches are in stock for all types of fittings, ORFS, SAE, JIC, NPT, JIS, ORB & BSP.

Contact your local Eaton-Aeroquip distributor for quality FLARETITE Seals, fittings and TORQTITE wrenches.

PowerFlex Fluid Handling Products B.V.  
Flevolaan 62g , 1362 JZ W eesp  
T:+31(0)294-450 200  
F:+31(0)294-410 045  
info @ powerflex-fhp.nl



[www.powerflex-fhp.nl](http://www.powerflex-fhp.nl)

# Flaretite\* Seals

The ideal product to enhance new installations of SAE 37° connections, as well as seal off minor leaks and weeping connections.



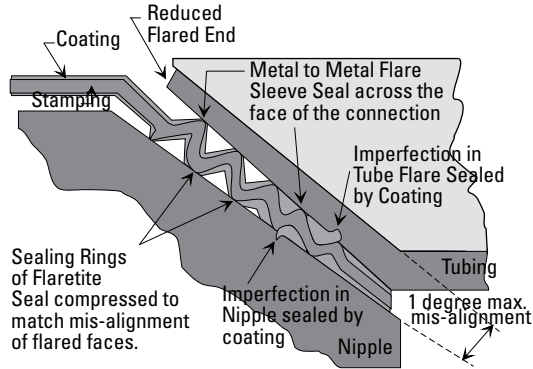
## Features

- Ribbed insert design
- Coated with Loctite\*\* sealant
- Economical method to reduce minor leaks and weeping connections
- Built-in clip to attach the Flaretite seal to the nose of the SAE 37 degree connection
- Available sizes: -04 through -32

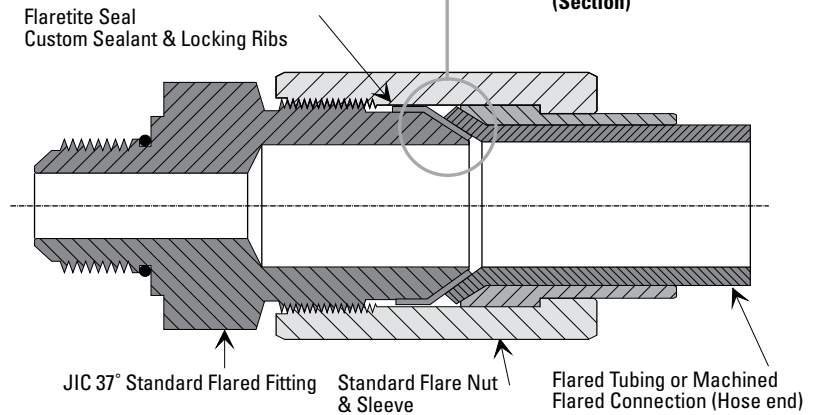
## Benefits

- Multiple surface contact points
- Locks the joint and fills surface imperfections
- Saves time & money associated with maintenance and rework
- Quick & easy assembly

### Flaretite Seal Joint Section of Applied Seal



### Standard Flared Connection (Section)



### SEAL SIZE PACKAGE CALCULATION NUMBER OF SEALS PER PACKAGE

SEAL SIZE	PACKAGE PART NUMBER	NUMBER OF SEALS PER PACKAGE
-04	FF13267	100
-06	FF13268	100
-08	FF13269	100
-10	FF13270	100
-12	FF13271	100
-16	FF13272	50
-20	FF13273	50
-24	FF13570	25
-32	FF13571	10

### Assembly and Torque Requirements

To assemble an SAE 37° connection using a Flaretite seal, simply push the Flaretite seal onto the male portion of the connection. The built-in clip will hold the Flaretite seal onto the male half.

During assembly ensure:

- The seal is fitted squarely to the conical nose of the JIC fitting -37° flare.
- The sealing faces of the flared connector part are clean and free of burrs.
- The flared joint is correctly tightened with recommended torque settings noted below.

### RECOMMENDED TORQUE SETTINGS:

Tolerance: +10% -0%					
-04 (1/4")	SAE 37°: 14lb-ft.	-10 (5/8")	SAE 37°: 80lb-ft.	-20 (1-1/4")	SAE 37°: 190lb-ft.
-06 (3/8")	SAE 37°: 26lb-ft.	-12 (3/4")	SAE 37°: 110lb-ft.	-24 (1-1/2")	SAE 37°: 220lb-ft.
-08 (1/2")	SAE 37°: 55lb-ft.	-16 (1")	SAE 37°: 140lb-ft.	-32 (2")	SAE 37°: 325lb-ft.

\* Flaretite is a registered trademark of Flaretite Inc. All photos and the name Flaretite are the property of Flaretite Inc.

\*\* Loctite is a registered trademark of Henkel Loctite Corporation.