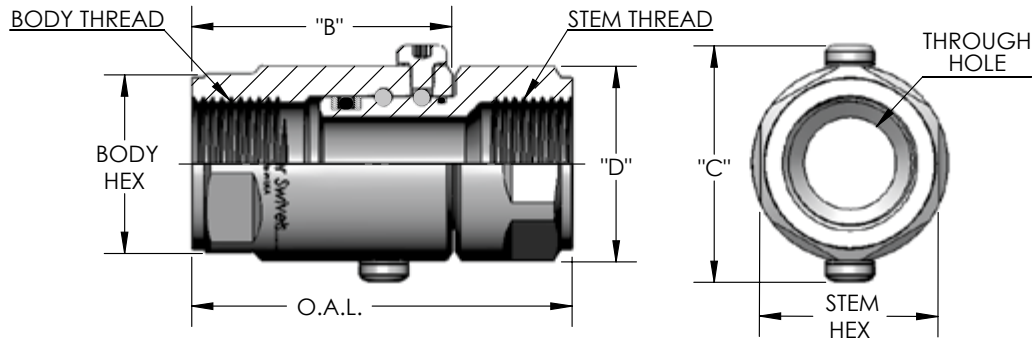


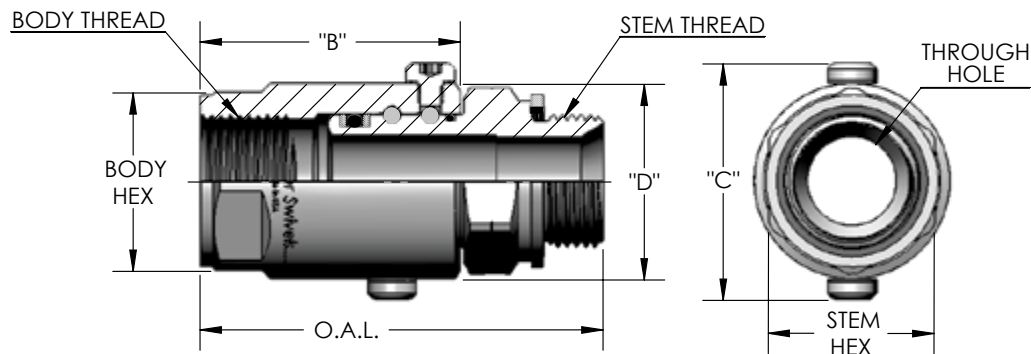
Female BSPP X Female BSPP



Not Available
In Stainless Steel!

PART NUMBER	O.A.L.	DIM. B	DIM. D Ø	DIM. C	WRENCH HEX.	BODY THREAD	STEM THREAD	MAX. PRES.	THROUGH HOLE
SS 4 FBSPP 4 X FBSPP 4	2.570 65.3 mm	1.720 43.7 mm	0.992 25.2 mm	1.122 28.5 mm	0.875 22.2 mm	G 1/4-19 BSPP	G 1/4-19 BSPP	345 5,000	0.250 6.3 mm
SS 6 FBSPP 6 X FBSPP 6	2.663 67.6 mm	1.780 45.2 mm	1.302 33.1 mm	1.702 43.2 mm	1.187 30.1 mm	G 3/8-19 BSPP	G 3/8-19 BSPP	345 5,000	0.312 7.9 mm
SS 8 DB FBSPP 8 X FBSPP 8	3.007 76.4 mm	2.080 52.8 mm	1.480 37.6 mm	1.880 47.8 mm	1.312 33.3 mm	G 1/2-14 BSPP	G 1/2-14 BSPP	345 5,000	0.406 10.3 mm
SS 12 DB FBSPP 12 X FBSPP 12	3.102 78.8 mm	2.100 53.3 mm	1.675 42.5 mm	2.070 52.6 mm	1.500 38.1 mm	G 3/4-14 BSPP	G 3/4-14 BSPP	345 5,000	0.630 16.0 mm
SS 16 DB FBSPP 16 X FBSPP 16	3.725 94.6 mm	2.550 64.8 mm	1.917 48.7 mm	2.320 58.9 mm	1.750 44.4 mm	G 1-11 BSPP	G 1-11 BSPP	310 4,500	0.787 20.0 mm
SS 20 FBSPP 20 X FBSPP 20	4.040 102.6 mm	2.650 67.3 mm	2.358 59.9 mm	2.760 70.1 mm	2.125 54.0 mm	G 1 1/4-11 BSPP	G 1 1/4-11 BSPP	275 4,000	0.984 25.0 mm
SS 24 FBSPP 24 X FBSPP 24	4.640 117.9 mm	3.250 82.5 mm	2.548 64.7 mm	2.950 74.9 mm	2.375 60.3 mm	G 1 1/2-11 BSPP	G 1 1/2-11 BSPP	275 4,000	1.260 32.0 mm

Male BSPP X Female BSPP



Not Available
In Stainless Steel!

PART NUMBER (Inches)	O.A.L.	DIM. B	DIM. D Ø	DIM. C	WRENCH HEX.	BODY THREAD	STEM THREAD	MAX. PRES.	THROUGH HOLE
SS 4 MBSPP 4 X FBSPP 4	2.665 67.7 mm	1.720 43.7 mm	0.992 25.2 mm	1.122 28.4 mm	0.812 20.6 mm	G 1/4-19 BSPP	G 1/4-19 BSPP	345 5,000	0.250 6.3 mm
SS 6 MBSPP 6 X FBSPP 6	2.728 69.3 mm	1.780 45.2 mm	1.302 33.1 mm	1.702 43.2 mm	0.937 23.8 mm	G 3/8-19 BSPP	G 3/8-19 BSPP	345 5,000	0.312 7.9 mm
SS 8 DB MBSPP 8 X FBSPP 8	3.102 78.8 mm	2.080 52.8 mm	1.480 37.6 mm	1.880 47.7 mm	1.125 28.6 mm	G 1/2-14 BSPP	G 1/2-14 BSPP	345 5,000	0.406 10.3 mm
SS 12 DB MBSPP 12 X FBSPP 12	3.302 83.9 mm	2.100 53.3 mm	1.675 42.5 mm	2.070 52.5 mm	1.312 33.3 mm	G 3/4-14 BSPP	G 3/4-14 BSPP	345 5,000	0.630 16.0 mm
SS 16 DB MBSPP 16 X FBSPP 16	3.947 100.3 mm	2.550 64.8 mm	1.917 48.7 mm	2.320 58.9 mm	1.625 41.3 mm	G 1-11 BSPP	G 1-11 BSPP	310 4,500	0.787 20.0 mm
SS 20 MBSPP 20 X FBSPP 20	4.265 108.3 mm	2.650 67.3 mm	2.358 59.9 mm	2.760 70.1 mm	2.000 50.8 mm	G 1 1/4-11 BSPP	G 1 1/4-11 BSPP	275 4,000	0.984 25.0 mm
SS 24 MBSPP 24 X FBSPP 24	5.085 129.2 mm	3.250 82.5 mm	2.548 64.7 mm	2.950 74.9 mm	2.250 57.1 mm	G 1 1/2-11 BSPP	G 1 1/2-11 BSPP	275 4,000	1.260 32.0 mm